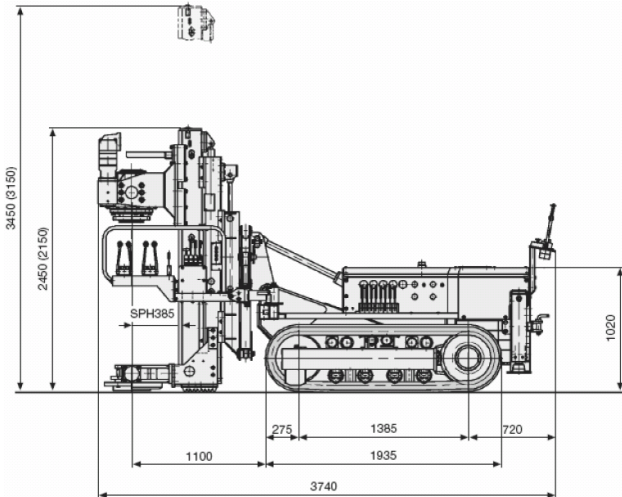


Klemm KR702 Rig

Restricted Access Piling Rig/Anchors/Soil Nails/Grouting



Overall Length	mm	2900
Min Head Room	mm	2200
Min Width	mm	750
Weight	ton	4.0 + 1.5
Power Rating	kW	86/55
	Hp	118/75

A main feature of the Klemm 702 is to realise compact overall dimensions and an improved capacity and stability of the rig.

The 702 can be operated in confined spaces as it can be driven through doors with 2 m height and 750 mm width and also has excellent stability with telescopic tracks extendable to 1.25m allowing the use of a slew head for anchor drilling.

