

Truck Mounted Hydraulic Rotary Rig

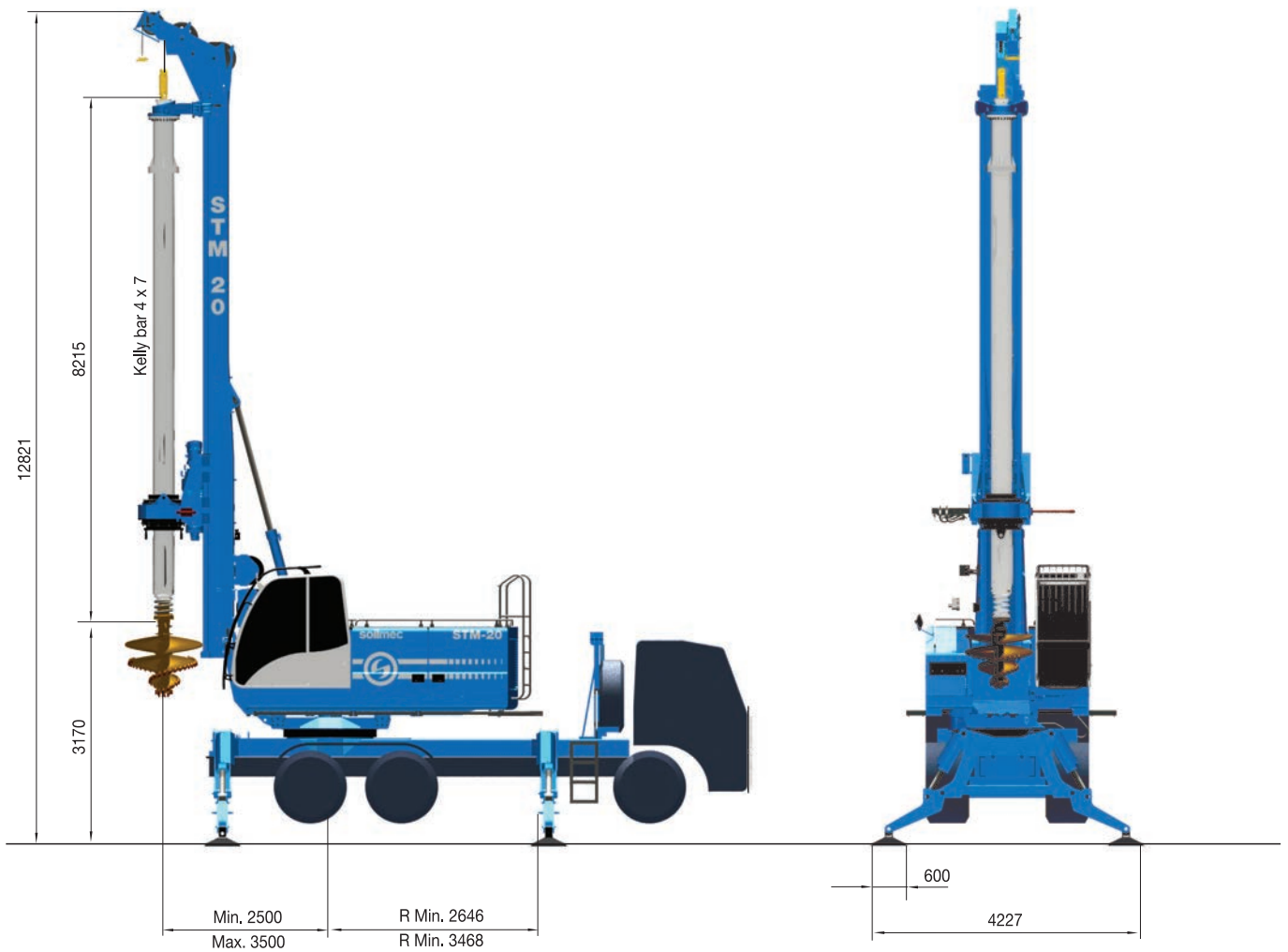
STM-20



soilmec 
Drilling and Foundation Equipment

STM-20 Truck Mounted Hydraulic Rotary Rig

APPLICATIONS




LDP - Large Diameter Piles - CCS version

Operating weight (w/o tool, c/w 3 parts kelly)	19300 kg	42550 lb
Max pile diameter in front of the mast	1100 mm	43.3 in
Max pile diameter below the mast	1800 mm	71 in
Max depth	30 m	98 ft

STM-20 Truck Mounted Hydraulic Rotary Rig

TECHNICAL DATA SHEET

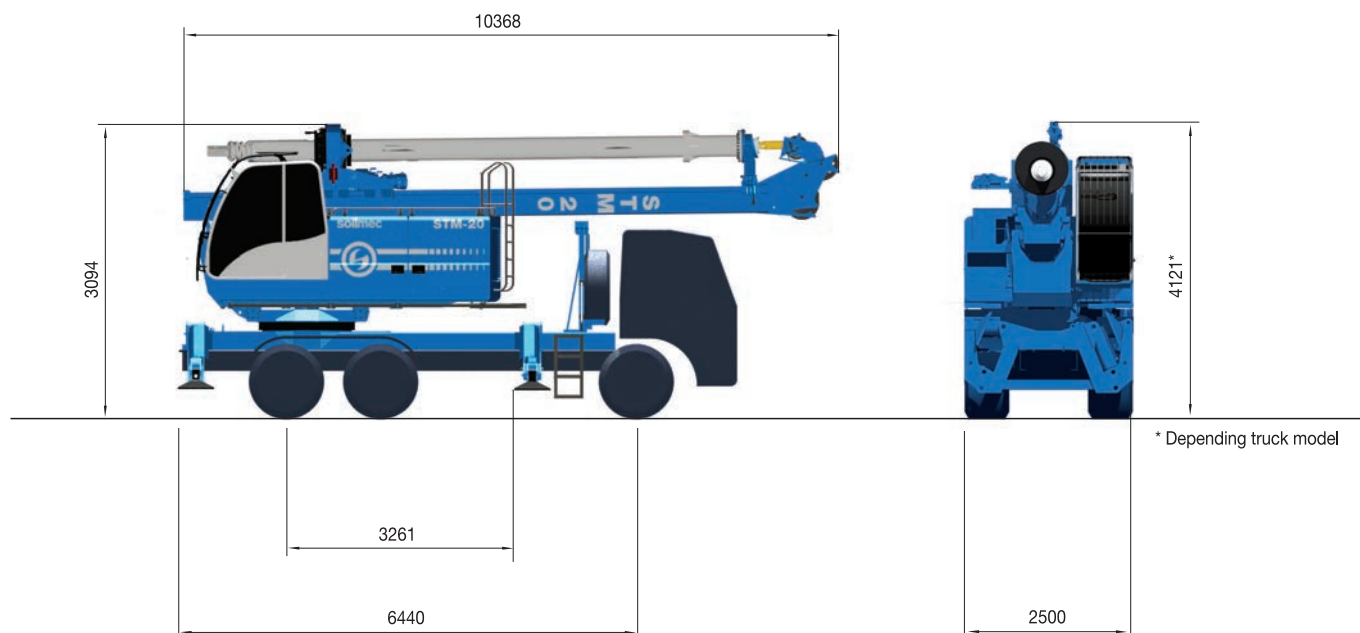
Engine		
- Rated output SAE J1995	Cummins QSB4.5	Cummins QSB4.5
- Engine conforms to Exhaust emission Standard	119 kW @ 2200 rpm	159 HP @ 2200 rpm
- Type	EU stage III A, US EPA Tier 3	EU stage III A, US EPA Tier 3
	Turbocharged and charge air cooled	Turbocharged and charge air cooled
Rotary Drive - Spinoff type		
- Max torque (<i>restricted, intermittent</i>)	100 kNm	73755 lbf*ft
- Rated torque	43 rpm	43 rpm
- Speed of rotation (max)	178 rpm	178 rpm
- Spinoff speed		
Crowd Cylinder system		
- Max crowd force pull down / pull up	74 kN / 124 kN	16523 lbf / 27876 lbf
- Stroke	1800 mm	71 in
	controlled descent	controlled descent
Main winch		
- Line pull (1st layer) nom.	102 kN	22930 lbf
- Rope diameter / Rope length	20 mm	0,79 in
- Line speed (max.)	68 m/min	223 ft/min
	controlled descent	controlled descent
Auxiliary winch		
- Line pull (1st layer)	48 kN	10701 lbf
- Rope diameter	15 mm	0.59 in
- Line speed (max.)	60 m/min	197 ft/min
Hydraulic system		
- Flow rates (main circuits)	2 x 115 l/min	2 x 30.4 US gal/min
	three axles	three axles
Truck chassis type		
Mast inclination		
- Max drilling rake - front / rear / side	10 ° / 10 ° / ± 5 °	10 ° / 10 ° / ± 5 °
- Levelling capability with outrigger	± 3 °	± 3 °



Drilling Depths	Kelly dimensions	Depth		Weight		Hcil		
		section x m	m	ft	ton	ton (US)	m	ft
3 parts	BL HD	3 x 7	17,7	58.1	2,2	2.4	4,4	14.3
	FR HD	3 x 7	18,1	59.4	1,8	1.9	4,4	14.3
4 parts	BL HD	4 x 7	24,3	79.7	2,4	2.6	4,4	14.3
	FR HD	4 x 7	24,3	79.7	2,4	2.6	4,4	14.3
5 parts	FR HD	5 x 7	30,4	99.7	3,0	3.3	4,4	14.3

STM-20 Truck Mounted Hydraulic Rotary Rig

TRANSPORT, DIMENSIONS AND WEIGHTS



* Depending truck model

Transport with kelly

Weight	19300 kg	42549 lb
---------------	-----------------	-----------------

This brochure has been edited and distributed by SOILMEC Spa. The present document cancels and override any previous ones. This brochure shall not be distributed, reproduced or exhibited without SOILMEC Spa. authorization in accordance with to SOILMEC web site disclaimer condition.

SOILMEC Spa distributes machinery and structures all over the world, supported by SOILMEC Spa subsidiary companies and dealers. The complete Soilmec network list is available on the web site www.soilmec.it