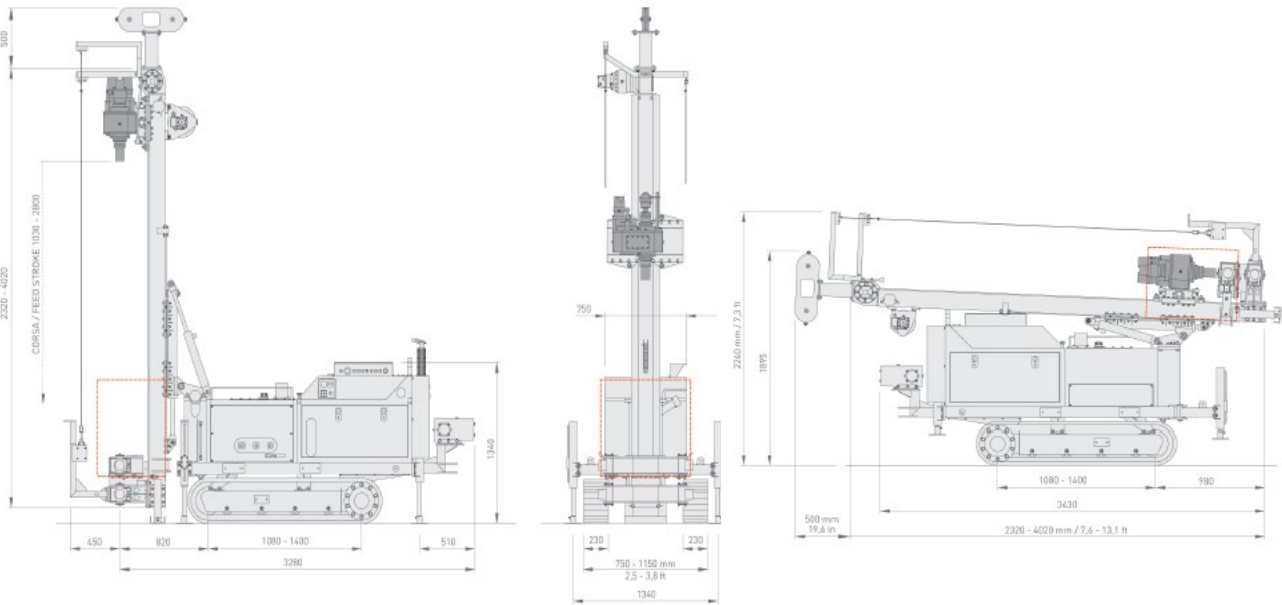


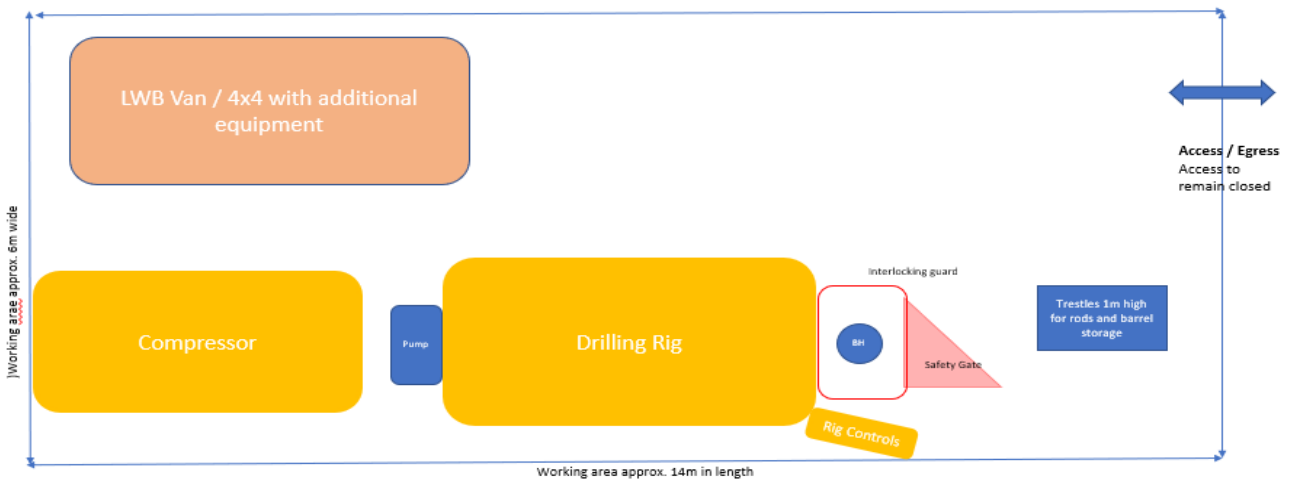


Comacchio Geo 205 Multi Purpose Drilling Rig

Mast Height	4.20m
Width	1.6m
Weight	2700kg
Retract force	2.500daN
Feed force	2.500daN
Operatives	2



Typical Site Set Up



- Additional Fence Panels will be required when larger drilling rigs are in use.
- Fencing may not always be required.