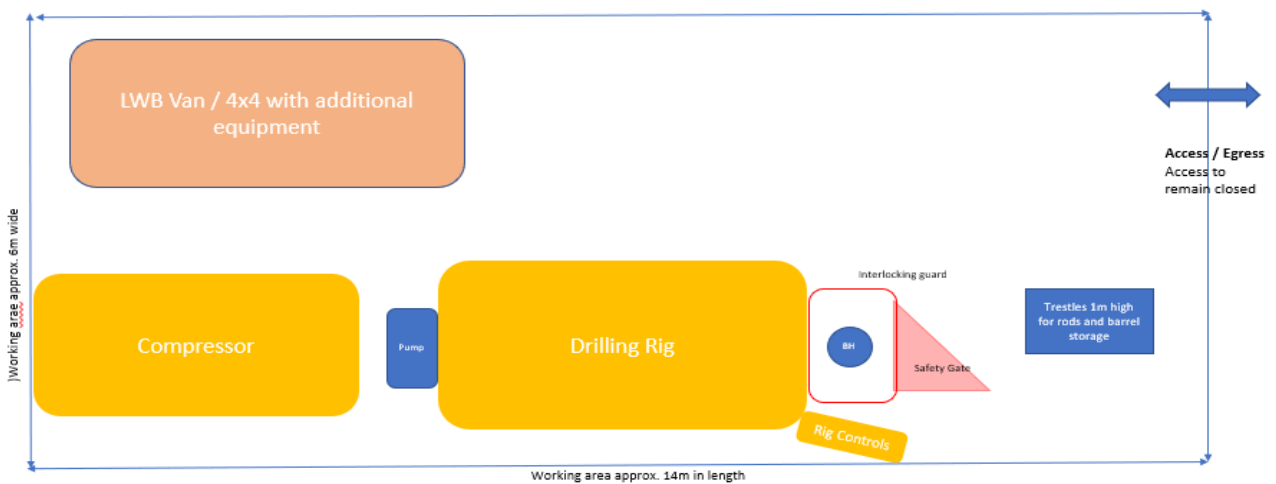
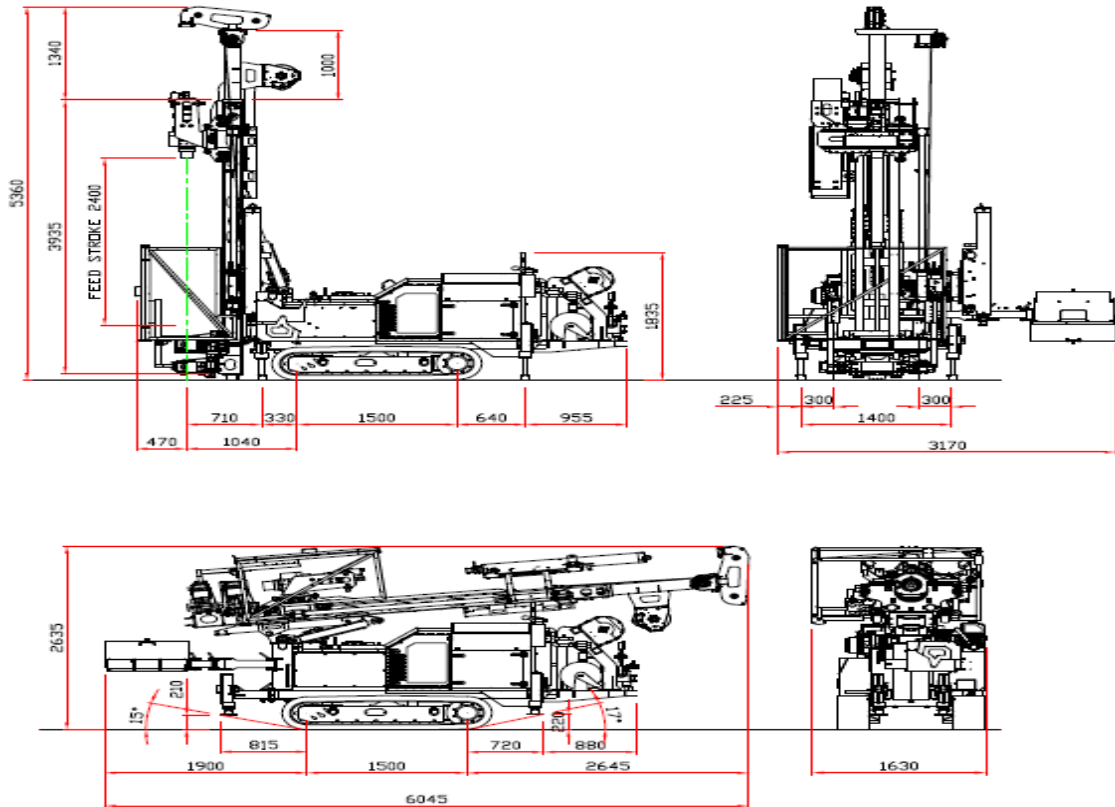


# Comacchio Geo 305 Multi Purpose Drilling Rig

Mast Height	5.36m
Width	1.63m
Weight	5650kg
Retract force	5.000daN
Feed force	5.000daN
Operatives	2



- Additional Fence Panels will be required when larger drilling rigs are in use.
- Fencing may not always be required.