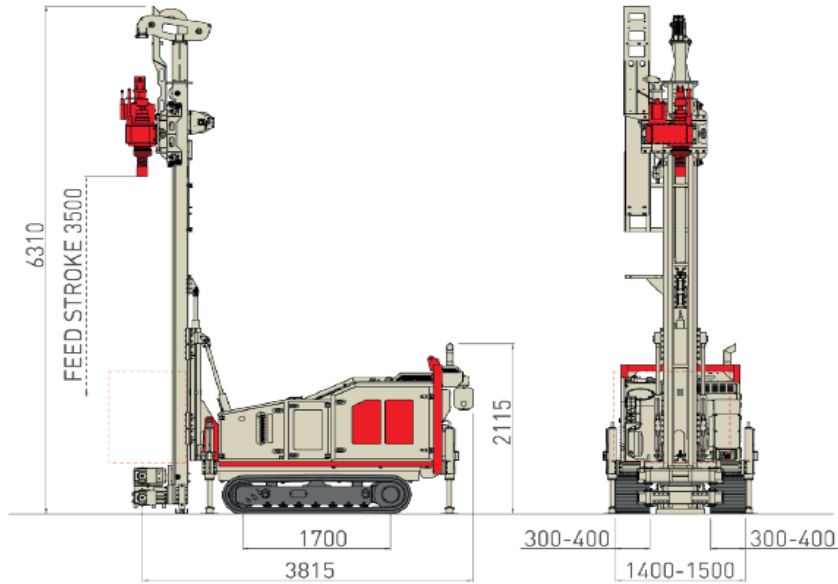


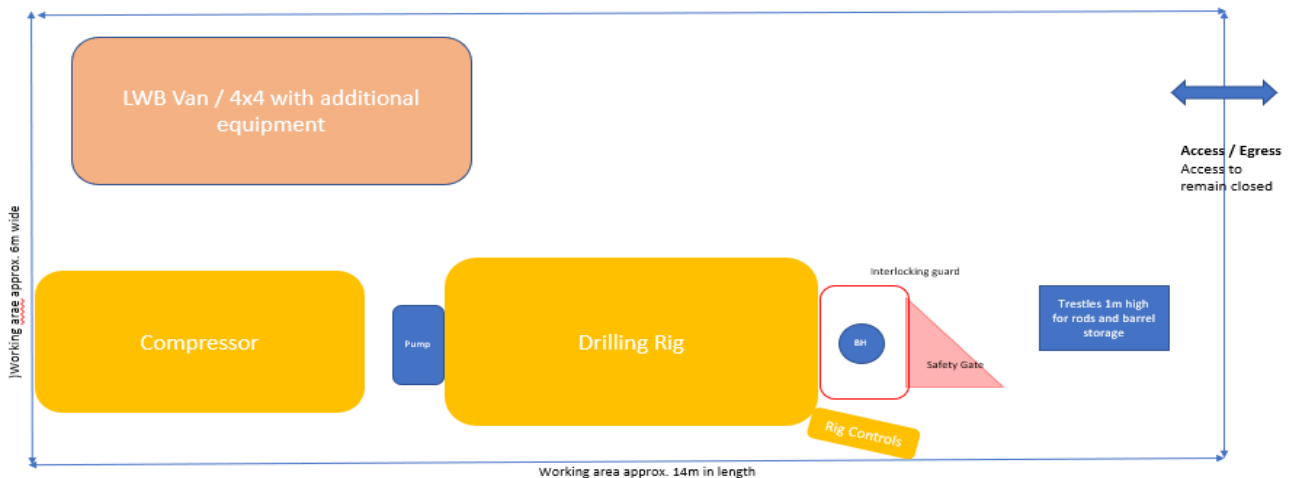


Comacchio Geo 405 Multi Purpose Drilling Rig

Mast Height	6.31m
Width	1.6m
Weight	6 ton
Retract force	6.500daN
Feed force	4.500daN
Operatives	2



Typical Site Set Up



- Additional Fence Panels will be required when larger drilling rigs are in use.
- Fencing may not always be required.