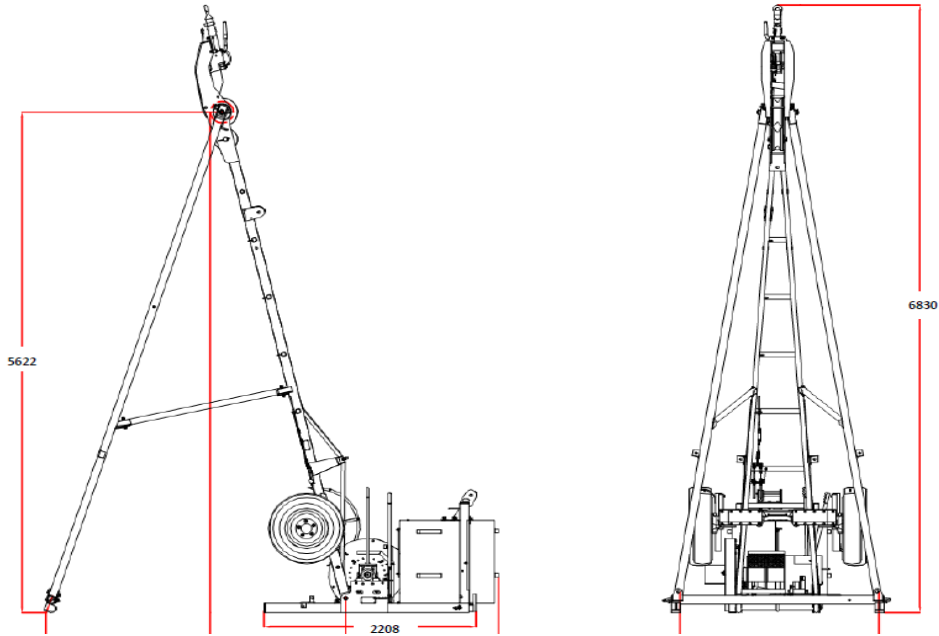


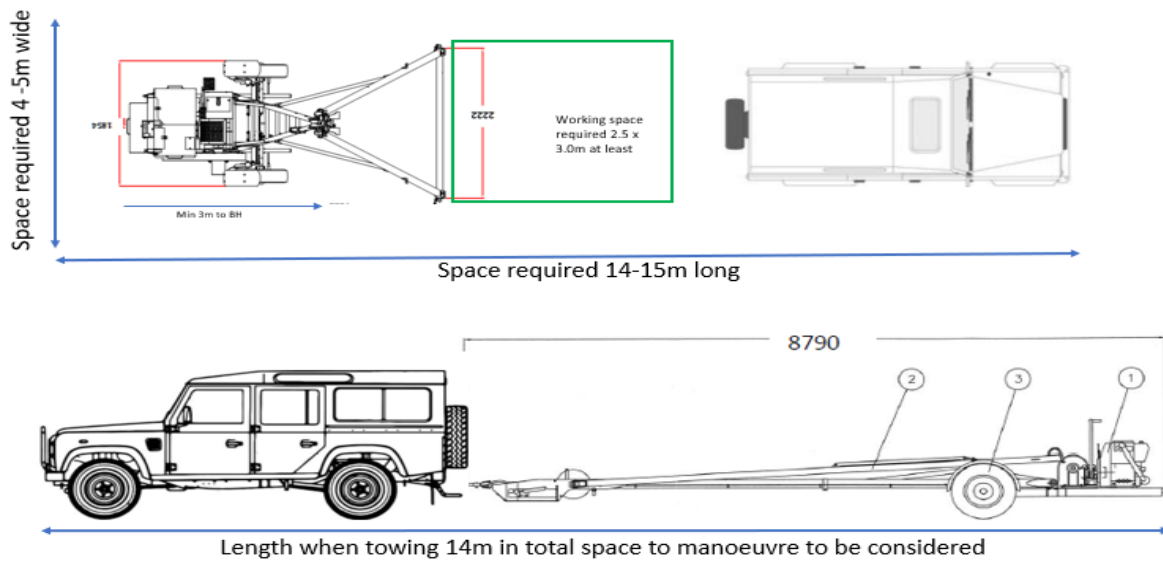


Dando Cable Percussion Drilling Rig

Mast Height	7m
Width	1.85m
Weight	1.6 to 2.10 ton
Max Pullback	2 - 4 ton
Operatives	2



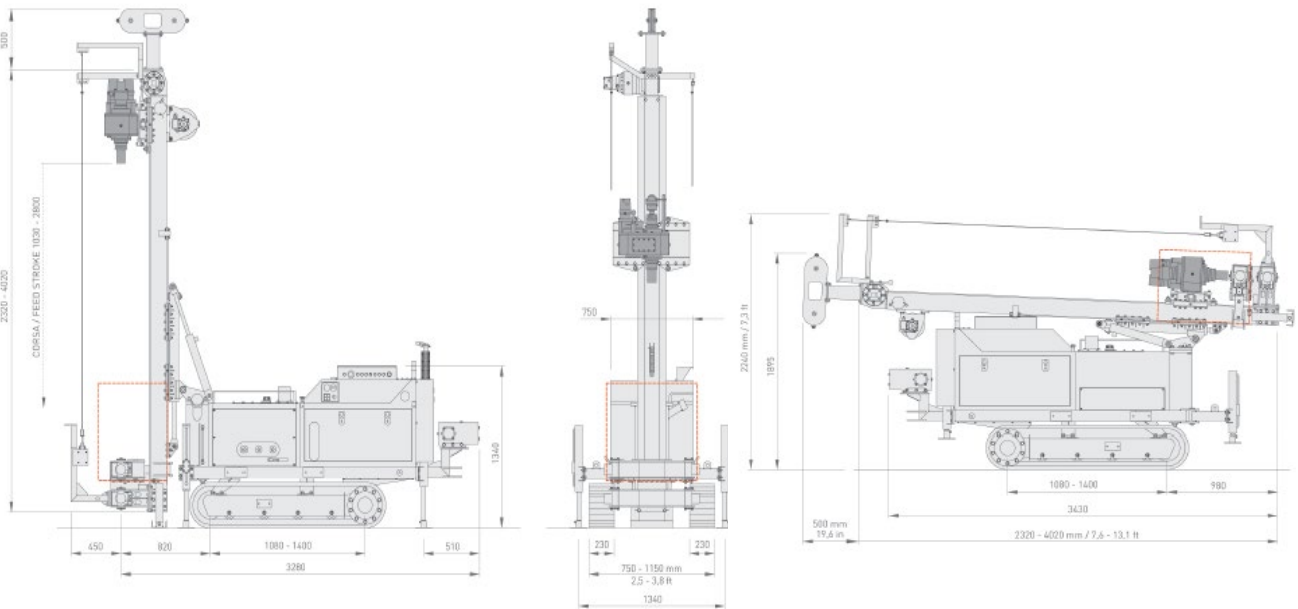
Typical Site Set Up



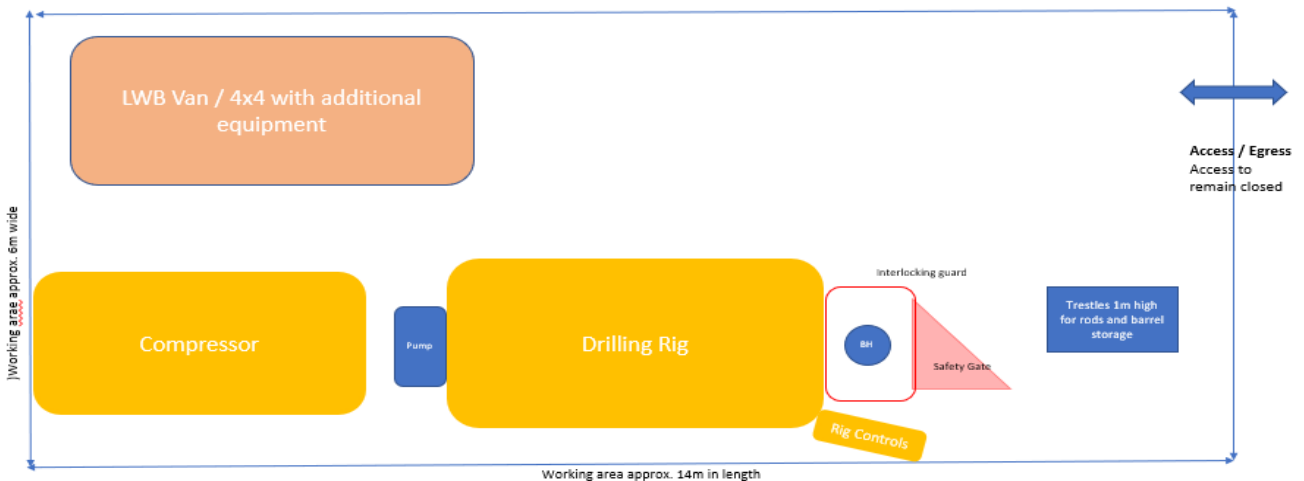


Comacchio Geo 205 Multi Purpose Drilling Rig

Mast Height	4.20m
Width	1.6m
Weight	2700kg
Retract force	2.500daN
Feed force	2.500daN
Operatives	2



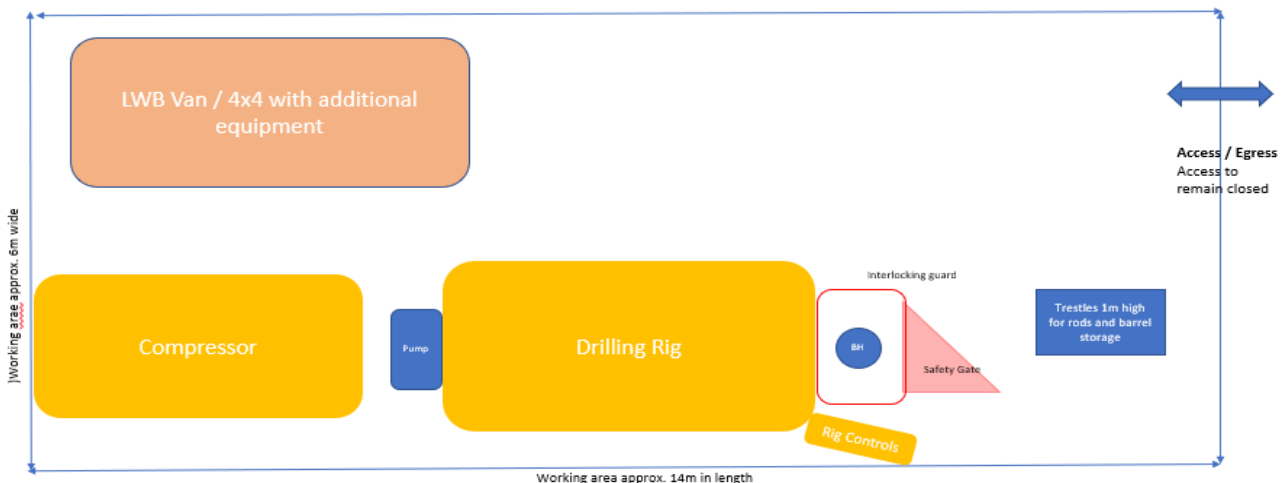
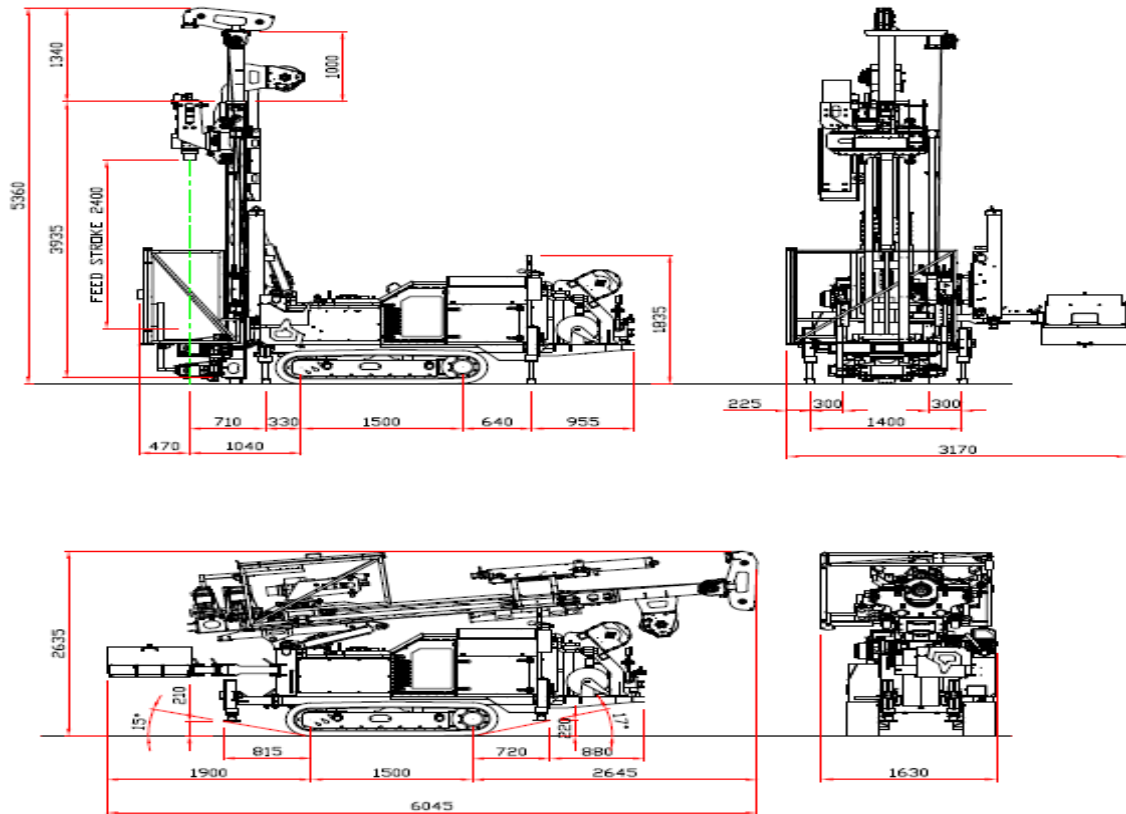
Typical Site Set Up



- Additional Fence Panels will be required when larger drilling rigs are in use.
- Fencing may not always be required.

Comacchio Geo 305 Multi Purpose Drilling Rig

Mast Height	5.36m
Width	1.63m
Weight	5650kg
Retract force	5.000daN
Feed force	5.000daN
Operatives	2

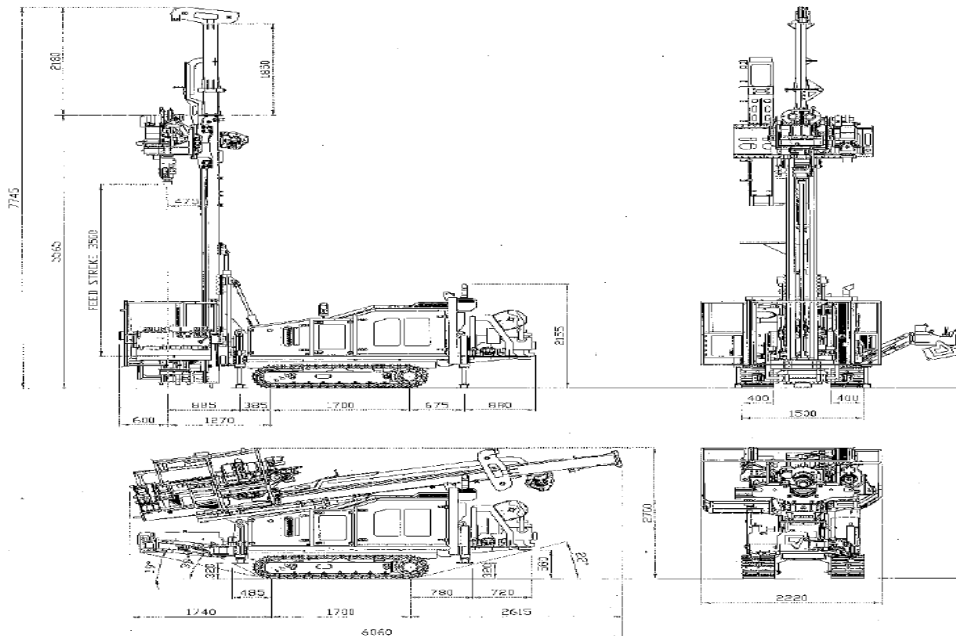


- Additional Fence Panels will be required when larger drilling rigs are in use.
- Fencing may not always be required.

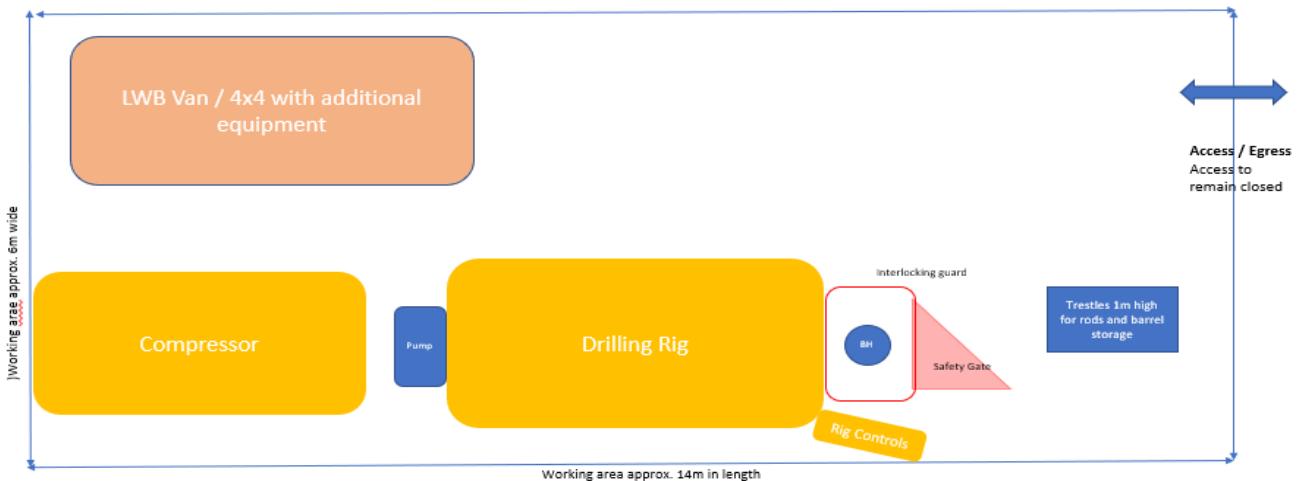


Comacchio Geo 405 Sonic Drilling Rig

Mast Height	7.74m
Width	2.2m
Weight	9000kg
Retract force	6.500daN
Feed force	4.500daN
Operatives	2



Typical Site Set Up

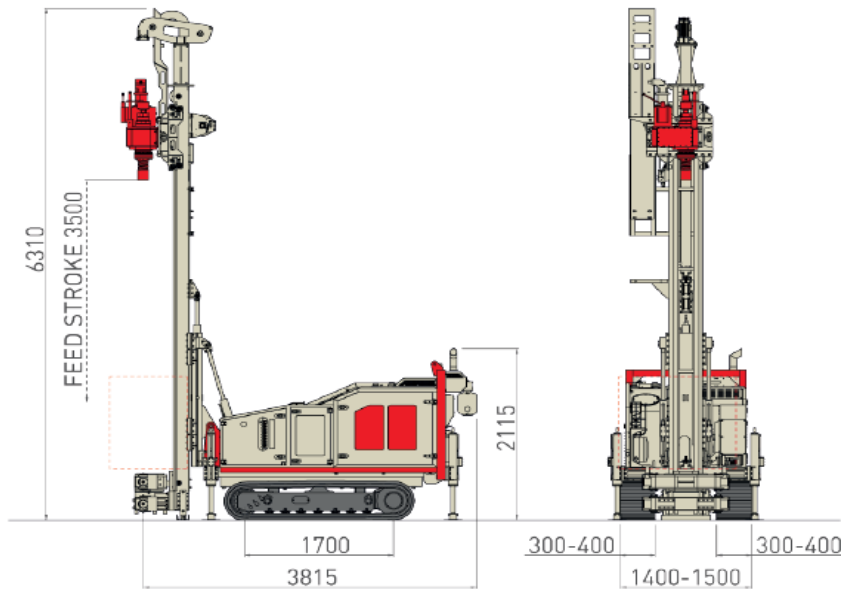


- Additional Fence Panels will be required when larger drilling rigs are in use.
- Fencing may not always be required.

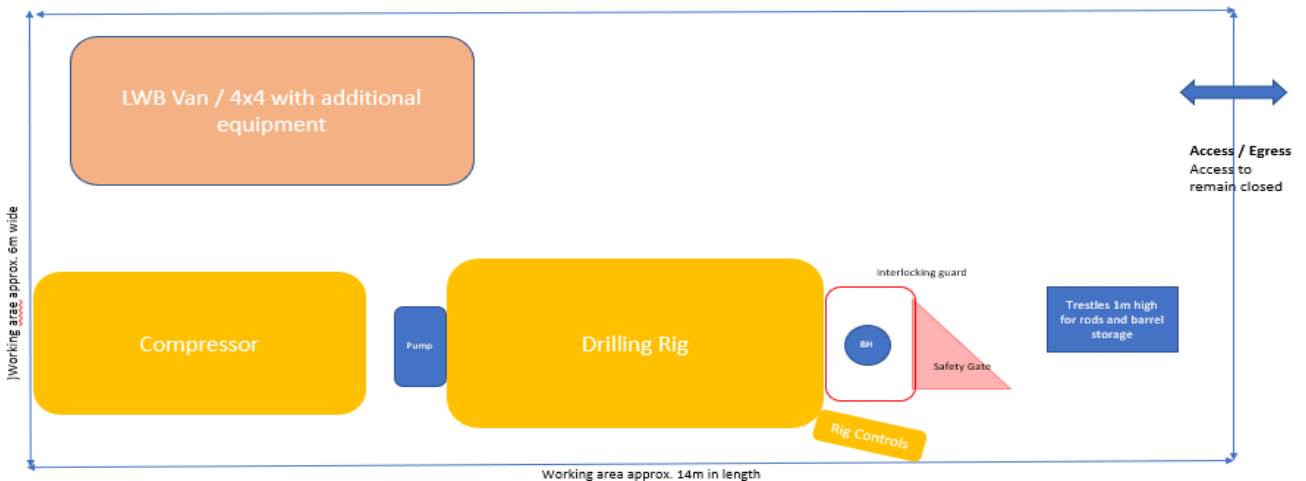


Comacchio Geo 405 Multi Purpose Drilling Rig

Mast Height	6.31m
Width	1.6m
Weight	6 ton
Retract force	6.500daN
Feed force	4.500daN
Operatives	2



Typical Site Set Up

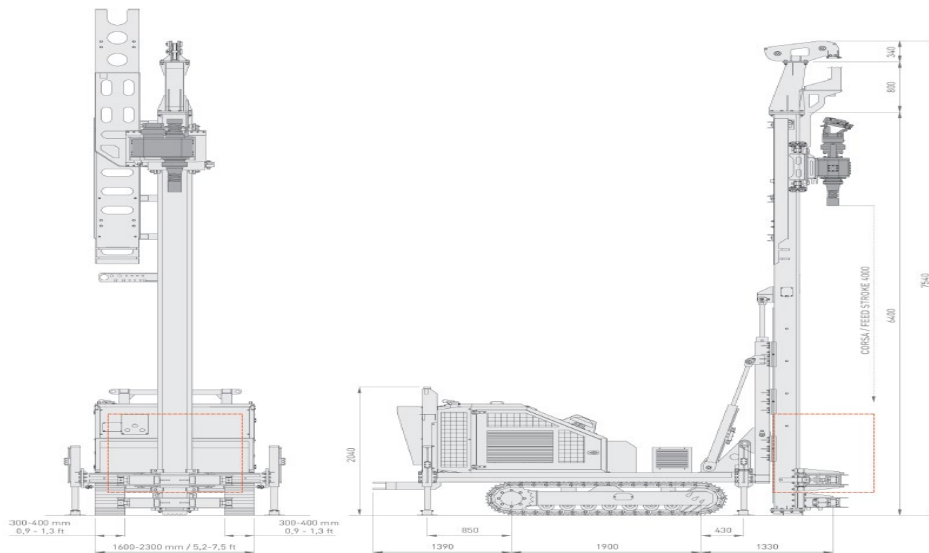


- Additional Fence Panels will be required when larger drilling rigs are in use.
- Fencing may not always be required.

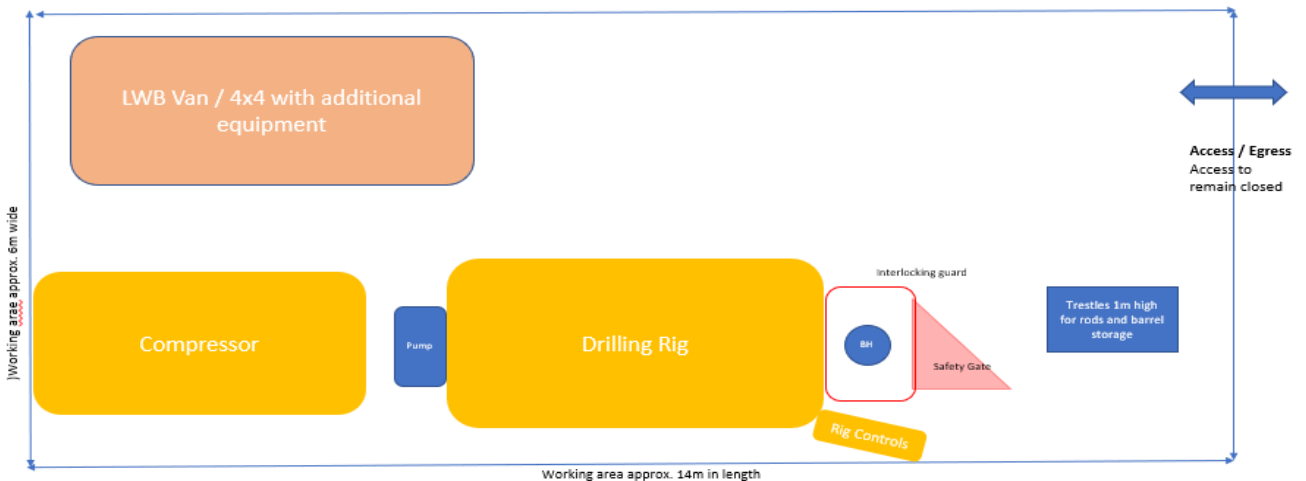


Comacchio Geo 602 Multi Purpose Drilling Rig

Mast Height	7.54m
Width	1.9m
Weight	13ton
Retract force	9,500daN
Feed force	6,500daN
Operatives	2 Minimum



Typical Site Set Up

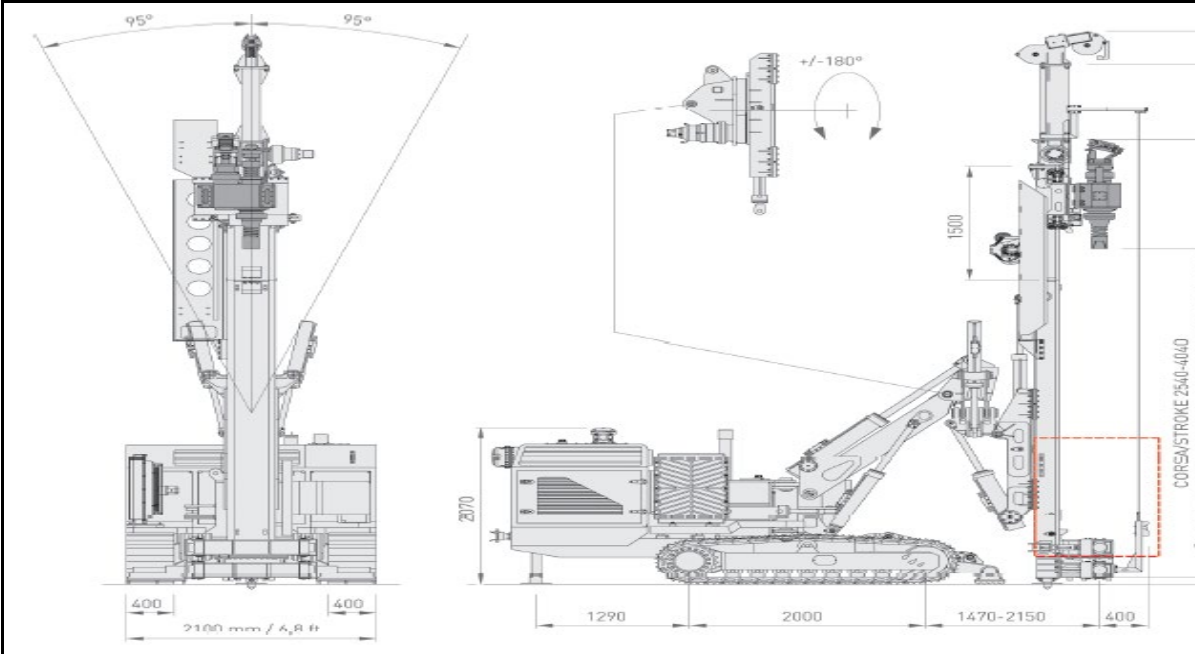


- Additional Fence Panels will be required when larger drilling rigs are in use.
- Fencing may not always be required.

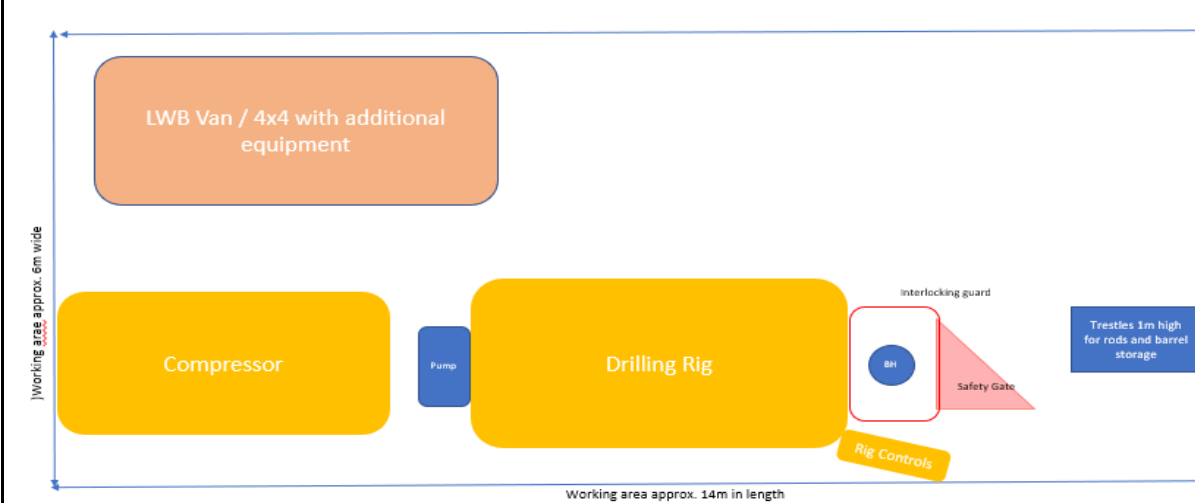


Comacchio MC12 Multi Purpose Drilling Rig

Mast Height	7.31m
Width	2.1m
Weight	13ton
Retract force	5610 kg
Feed force	5610 kg
Operatives	2 Minimum



Typical Site Set Up



- Additional Fence Panels will be required when larger drilling rigs are in use.
- Fencing may not always be required.

Rig

